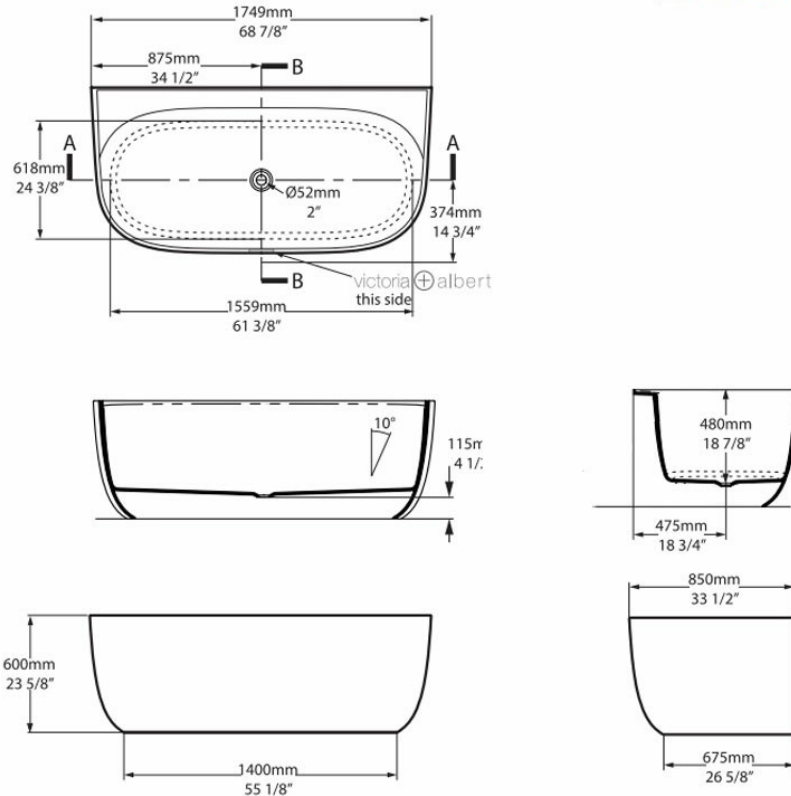


ELDON QUARRYCAST BACK TO WALL BATH 1749 X 850 X 600

52097.10

\*All measurements subject to +/-5% tolerance



Repairable

Light scratches in the QUARRYCAST material can be repaired and re-polished.



Commercial Use

Suitable for commercial use.



Guarantee

25 Year Guarantee



Exterior Painting

Exterior can be painted or personalised.



Outdoor Use

Can be installed inside or outdoors.



Quarrycast

QUARRYCAST® material is made from a finely ground volcanic limestone and resin mix. 100% one piece, hand finished and packed with naturally desirable properties.



Weight

109KG



Made in South Africa



British owned and operated



Eldon is the creation of leading British Architecture and Interior Design Studio, Conran + Partners, who have applied their expertise learned through designing some of the world's top hotels and residences. The contemporary back-to-wall bath is endowed with the curvaceous lines of a freestanding bath. A full width tap deck hides all waste pipework and a moulded upstand allows tiles to be easily installed. At 1750mm long, it's the perfect bathtub for bathrooms large and small where clean lines and day to day practicality are equally important.