

AMARA 750 DOUBLE DRAWER FLOOR VANITY



PRODUCT CODES & FINISHES



Ultra Gloss White
FRONT PANELS ONLY



Ultra Touch
Matt Black



Ultra Touch
Matt Tungsten



Ultra Touch
Matt White



Baroque



Ranfury
Oak



Hickory
Walnut



Blackened
Elm



Rural
Oak



Indian
Ink



Perfect
White



Friar
Grey



Green
Slate



Triple
Duck Egg



Tusk / Quarter
Napa



Anthracite



Nordic
Ash



Borders
Oak



Charred
Oak

CABINERY

INSTALLATION	Floor standing
CONFIGURATION	2 soft close drawers
MATERIAL	Moisture resistant board
WIDTH (mm)	740
DEPTH (mm)	452
HEIGHT (mm)	830
ORIGIN	Aotearoa / New Zealand

VANITY TOP

FINISH	Gloss white
MATERIAL	Composite
TAP HOLE	Yes
OVERFLOW	No
WASTE SIZE	Suits 32mm and 40mm waste traps
WASTE INCLUDED	No
WIDTH (mm)	750
DEPTH (mm)	452
ORIGIN	PRC

AVAILABLE EXCLUSIVELY AT



GENERIC CODES FOR MERCHANT USE ONLY

GLOSS WHITE	5AMA075DG
COLOUR	5AMA075DC
ULTRA TOUCH	5AMA075DE

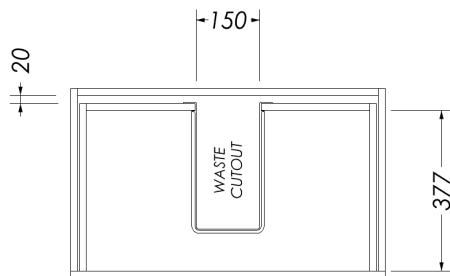
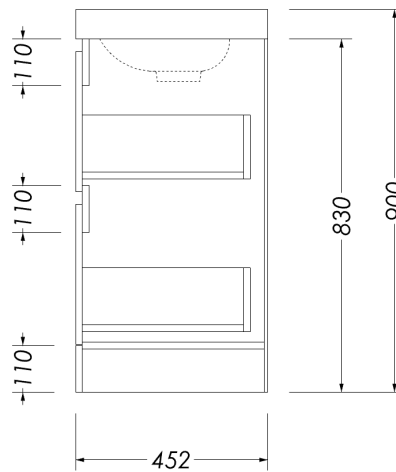
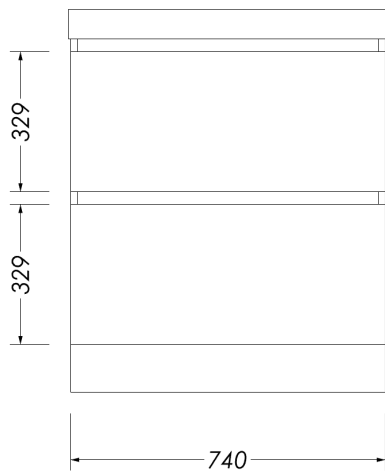
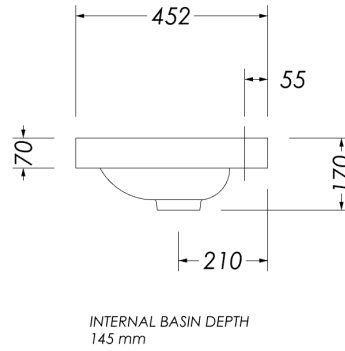
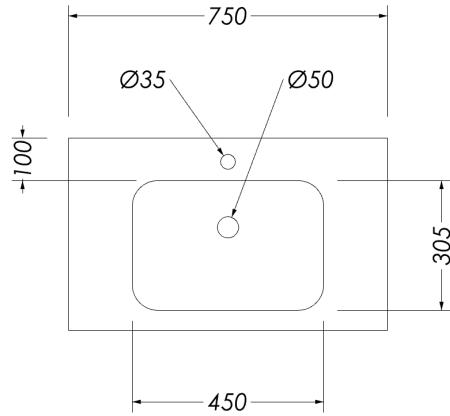
NOTES

- 5 year warranty*
- Cabinets made from moisture resistant board with PUR bonding technology, sustainably sourced from FSC certified NZ Radiata Pine
- Optional - Pop-up waste available**

AUGUST 2024

ALL MEASUREMENTS ARE NOMINAL
 *WARRANTIES APPLY TO RESIDENTIAL DOMESTIC USE ONLY. WARRANTY VOID
 IF PRODUCT IS NOT INSTALLED ACCORDING TO OUR SPECIFICATIONS.
 **FOR FURTHER INFORMATION ON BIFR, INSTALLATION GUIDE AND PRODUCT
 OPTIONS PLEASE REFER TO THE WEBSITE.
athena.co.nz

AMARA 750 DOUBLE DRAWER FLOOR VANITY



TOP & BOTTOM DRAWER
CROSS SECTION

AUGUST 2024

ALL MEASUREMENTS ARE NOMINAL
 *WARRANTIES APPLY TO RESIDENTIAL DOMESTIC USE ONLY. WARRANTY VOID
 IF PRODUCT IS NOT INSTALLED ACCORDING TO OUR SPECIFICATIONS.
 **FOR FURTHER INFORMATION ON BIFR, INSTALLATION GUIDE AND PRODUCT
 OPTIONS PLEASE REFER TO THE WEBSITE.
athena.co.nz