

# AMARA 750 DOUBLE DRAWER FLOOR VANITY



## PRODUCT CODES & FINISHES



Ultra Gloss White  
FRONT PANELS ONLY



Ultra Touch  
Matt Black



Ultra Touch  
Matt Tungsten



Ultra Touch  
Matt White



Baroque



Ranfury  
Oak



Hickory  
Walnut



Blackened  
Elm



Rural  
Oak



Indian  
Ink



Perfect  
White



Friar  
Grey



Green  
Slate



Triple  
Duck Egg



Tusk / Quarter  
Napa



Anthracite



Nordic  
Ash



Borders  
Oak



Charred  
Oak

## CABINERY

INSTALLATION	Floor standing
CONFIGURATION	2 soft close drawers
MATERIAL	Moisture resistant board
WIDTH (mm)	740
DEPTH (mm)	452
HEIGHT (mm)	830
ORIGIN	Aotearoa / New Zealand

## VANITY TOP

FINISH	Gloss white
MATERIAL	Composite
TAP HOLE	Yes
OVERFLOW	No
WASTE SIZE	Suits 32mm and 40mm waste traps
WASTE INCLUDED	No
WIDTH (mm)	750
DEPTH (mm)	452
ORIGIN	PRC

AVAILABLE EXCLUSIVELY AT



## GENERIC CODES FOR MERCHANT USE ONLY

GLOSS WHITE	5AMA075DG
COLOUR	5AMA075DC
ULTRA TOUCH	5AMA075DE

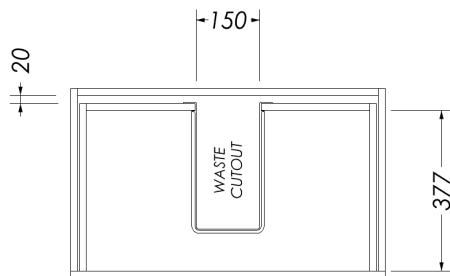
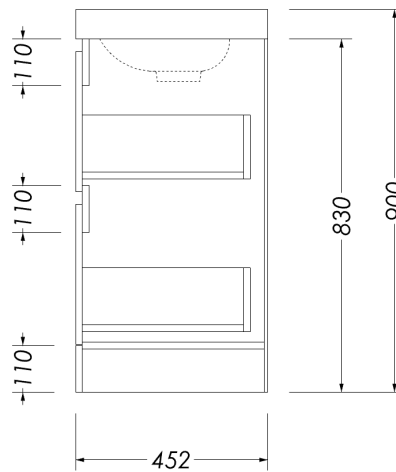
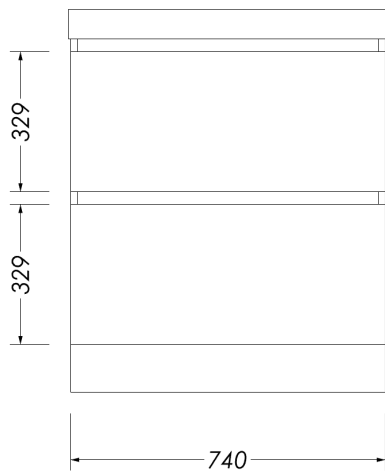
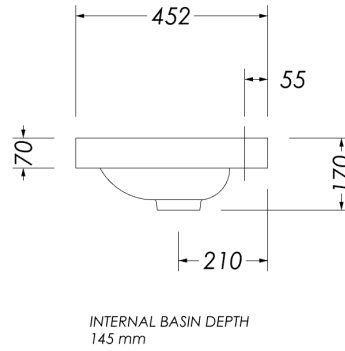
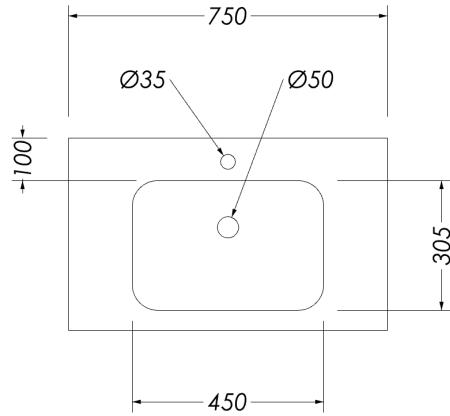
## NOTES

- 5 year warranty\*
- Cabinets made from moisture resistant board with PUR bonding technology, sustainably sourced from FSC certified NZ Radiata Pine
- Optional - Pop-up waste available\*\*

AUGUST 2024

ALL MEASUREMENTS ARE NOMINAL  
 \*WARRANTIES APPLY TO RESIDENTIAL DOMESTIC USE ONLY. WARRANTY VOID  
 IF PRODUCT IS NOT INSTALLED ACCORDING TO OUR SPECIFICATIONS.  
 \*\*FOR FURTHER INFORMATION ON BIFR, INSTALLATION GUIDE AND PRODUCT  
 OPTIONS PLEASE REFER TO THE WEBSITE.  
[athena.co.nz](http://athena.co.nz)

# AMARA 750 DOUBLE DRAWER FLOOR VANITY



TOP & BOTTOM DRAWER  
CROSS SECTION

**AUGUST 2024**

ALL MEASUREMENTS ARE NOMINAL  
 \*WARRANTIES APPLY TO RESIDENTIAL DOMESTIC USE ONLY. WARRANTY VOID  
 IF PRODUCT IS NOT INSTALLED ACCORDING TO OUR SPECIFICATIONS.  
 \*\*FOR FURTHER INFORMATION ON BIFR, INSTALLATION GUIDE AND PRODUCT  
 OPTIONS PLEASE REFER TO THE WEBSITE.  
[athena.co.nz](http://athena.co.nz)