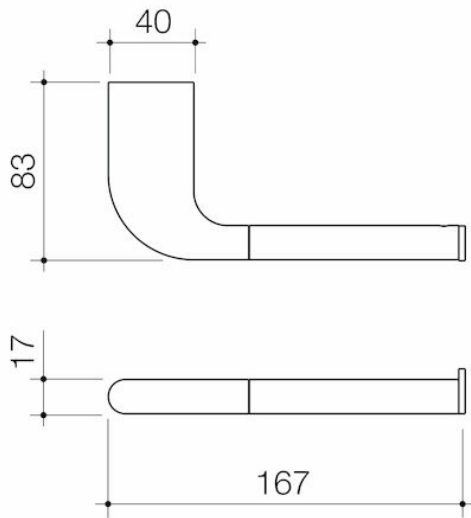


Contura II Toilet Roll Holder - Matte Black

Code: 849031B



Attributes

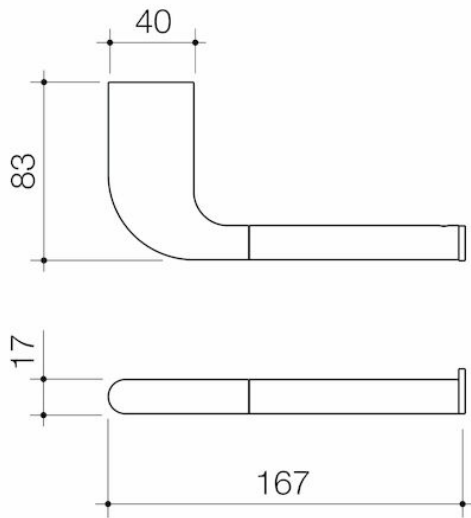
Item colour	Matte Black
Depth	190 mm
Length	90 mm
Net Weight	0.30 kg

Features & Benefits

- High quality metal construction ensures durability
- An adjustable end cap allows the toilet roll holder to be installed in both left and right orientations
- Dual fixings for added strength
- Modern organic design matches with Contura bathroom Collection to complete the look
- Australian designed and engineered
- Available in Chrome, matte black, brushed bronze, brushed brass and brushed nickel

Contura II Toilet Roll Holder - Brushed Brass

Code: 849031BB



Attributes

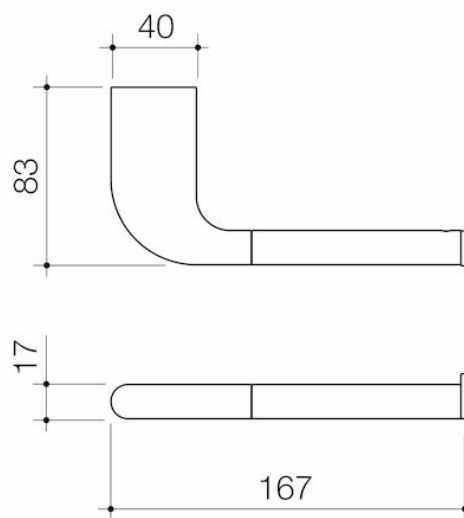
Item colour	Brushed Brass
Depth	190 mm
Length	90 mm
Net Weight	0.30 kg

Features & Benefits

- PVD finish for striking design & durability
- High quality metal construction ensures durability
- An adjustable end cap allows the toilet roll holder to be installed in both left and right orientations
- Dual fixings for added strength
- Modern organic design matches with Contura Bathroom Collection to complete the look
- Australian designed and engineered
- Available in chrome, matte black, brushed bronze, brushed brass and brushed nickel

Contura II Toilet Roll Holder - Brushed Bronze

Code: 849031BBZ



Attributes

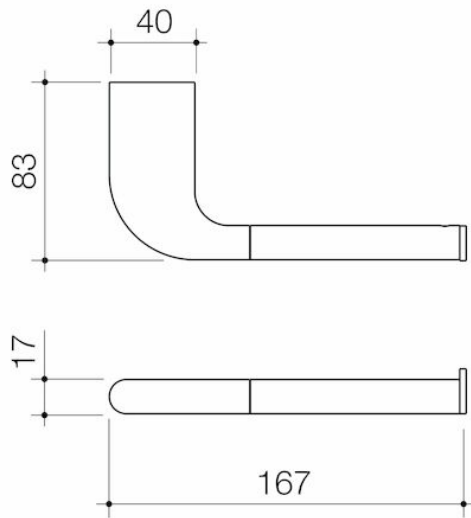
Item colour	Brushed Bronze
Depth	190 mm
Length	90 mm
Net Weight	0.30 kg

Features & Benefits

- PVD finish for striking design & durability
- High quality metal construction ensures durability
- An adjustable end cap allows the toilet roll holder to be installed in both left and right orientations
- Dual fixings for added strength
- Modern organic design matches with Contura Bathroom Collection to complete the look
- Australian designed and engineered
- Available in chrome, matte black, brushed bronze, brushed brass and brushed nickel

Contura II Toilet Roll Holder - Brushed Nickel

Code: 849031BN



Attributes

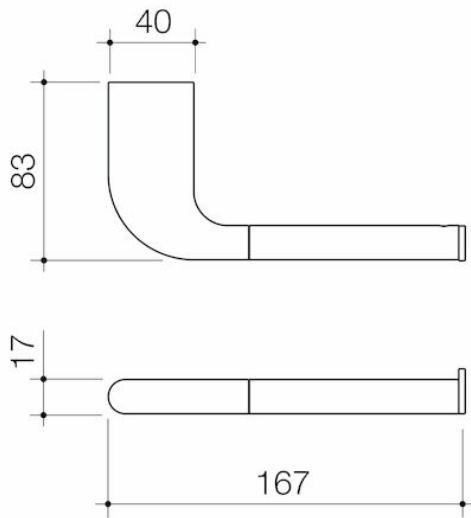
Item colour	Brushed Nickel
Depth	190 mm
Length	90 mm
Net Weight	0.30 kg

Features & Benefits

- PVD finish for striking design & durability
- High quality metal construction ensures durability
- An adjustable end cap allows the toilet roll holder to be installed in both left and right orientations
- Dual fixings for added strength
- Modern organic design matches with Contura Bathroom Collection to complete the look
- Australian designed and engineered
- Available in chrome, matte black, brushed bronze, brushed brass and brushed nickel

Contura II Toilet Roll Holder - Chrome

Code: 849031C



Attributes

Item colour	Chrome
Depth	190 mm
Length	90 mm
Net Weight	0.30 kg

Features & Benefits

- Chrome finish to match your tapware and other bathroom accessories
- High quality metal construction ensures durability
- An adjustable end cap allows the toilet roll holder to be installed in both left and right orientations
- Dual fixings for added strength
- Modern organic design matches with Contura bathroom Collection to complete the look
- Australian designed and engineered
- Available in Chrome, matte black, brushed bronze, brushed brass and brushed nickel