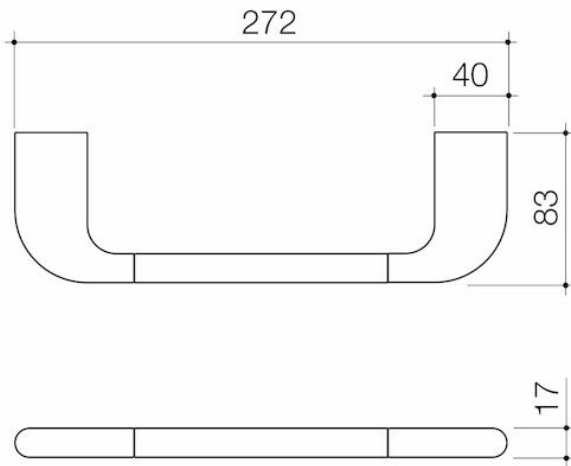


# Contura II Hand Towel Rail - Matte Black

Code: 849032B



## Attributes

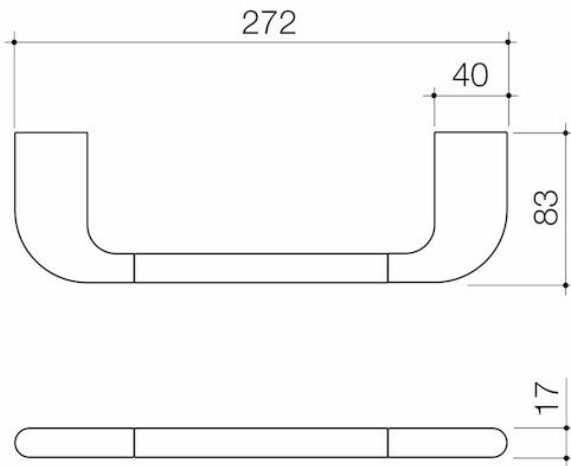
Item colour	Matte Black
Depth	300 mm
Length	90 mm
Net Weight	0.44 kg

## Features & Benefits

- High quality metal construction ensures durability
- Dual fixings for added strength
- Modern organic design matches with Contura bathroom Collection to complete the look
- Australian designed and engineered
- Available in Chrome, matte black, brushed bronze, brushed brass and brushed nickel

# Contura II Hand Towel Rail - Brushed Brass

Code: 849032BB



## Attributes

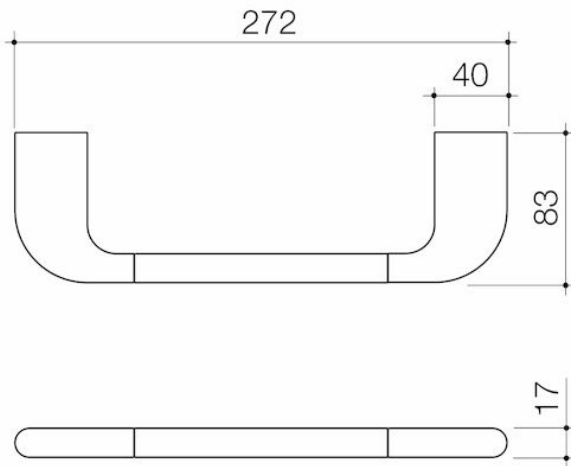
Item colour	Brushed Brass
Depth	300 mm
Length	90 mm
Net Weight	0.44 kg

## Features & Benefits

- PVD finish for striking design & durability
- High quality metal construction ensures durability
- Dual fixings for added strength
- Modern organic design matches with Contura Bathroom Collection to complete the look
- Australian designed and engineered
- Available in chrome, matte black, brushed bronze, brushed brass and brushed nickel

# Contura II Hand Towel Rail - Brushed Bronze

Code: 849032BBZ



## Attributes

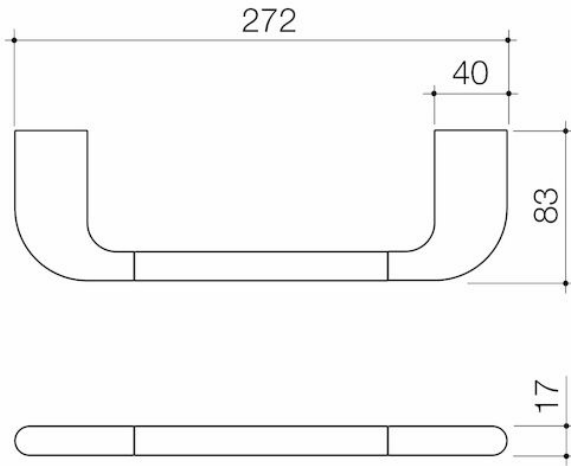
Item colour	Brushed Bronze
Depth	300 mm
Length	90 mm
Net Weight	0.44 kg

## Features & Benefits

- PVD finish for striking design & durability
- High quality metal construction ensures durability
- Dual fixings for added strength
- Modern organic design matches with Contura Bathroom Collection to complete the look
- Australian designed and engineered
- Available in chrome, matte black, brushed bronze, brushed brass and brushed nickel

# Contura II Hand Towel Rail - Brushed Nickel

Code: 849032BN



## Attributes

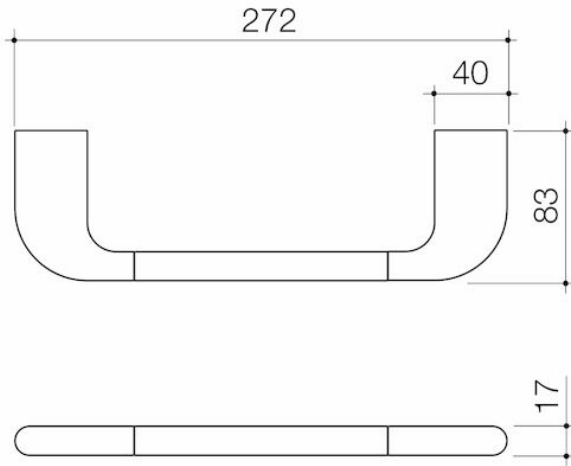
Item colour	Brushed Nickel
Depth	300 mm
Length	90 mm
Net Weight	0.44 kg

## Features & Benefits

- PVD finish for striking design & durability
- High quality metal construction ensures durability
- Dual fixings for added strength
- Modern organic design matches with Contura Bathroom Collection to complete the look
- Australian designed and engineered
- Available in chrome, matte black, brushed bronze, brushed brass and brushed nickel

# Contura II Hand Towel Rail - Chrome

Code: 849032C



## Attributes

Item colour	Chrome
Depth	300 mm
Length	90 mm
Net Weight	0.44 kg

## Features & Benefits

- Chrome finish to match your tapware and other bathroom accessories
- High quality metal construction ensures durability
- Dual fixings for added strength
- Modern organic design matches with Contura bathroom Collection to complete the look
- Australian designed and engineered
- Available in Chrome, matte black, brushed bronze, brushed brass and brushed nickel