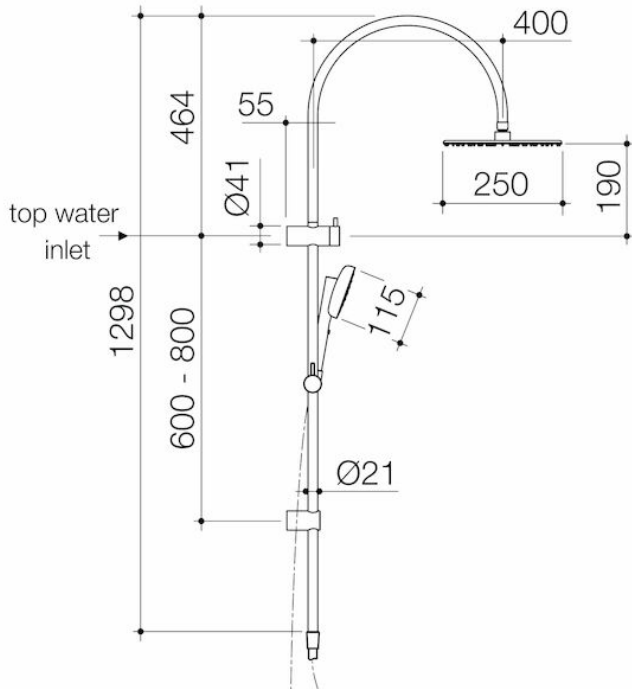


# Contura II Rail Shower - Black

Code: 849080B4A



## Attributes

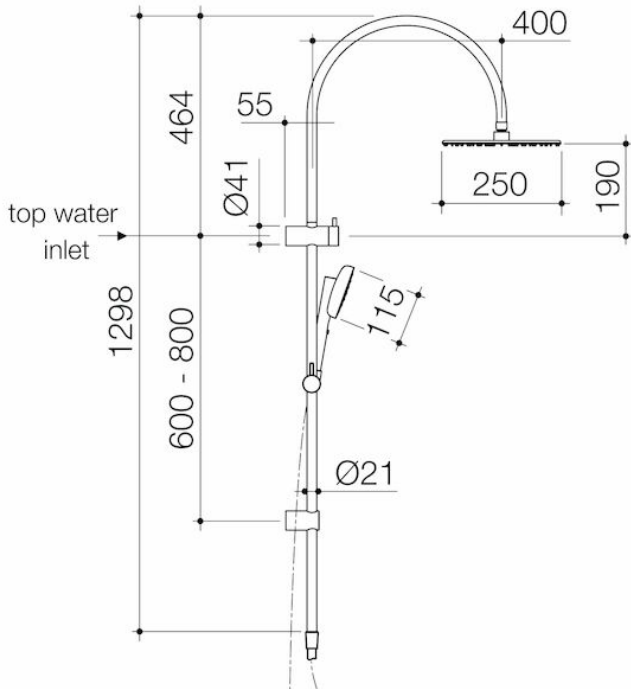
<b>Litres per minute</b>	7.50 ltr
<b>Rail cutdown</b>	No
<b>Temperature adjustable</b>	No
<b>Flow adjustable</b>	No
<b>Is retrofit</b>	No
<b>Depth</b>	300 mm
<b>Length</b>	580 mm
<b>Net Weight</b>	0.69 kg

## Features & Benefits

- Enjoy peace of mind with 20 years warranty
- VJet® technology in the hand shower for the ultimate showering experience that puts you in control.
- Hand shower contains premium quality dual check valves, designed to prevent backflow, effective against back pressure and back siphonage.
- PVD Finishes available for striking design & durability. Available in chrome, matte black, brushed bronze, brushed brass and brushed nickel.
- Caroma showers are 100% leak tested.
- Easy slide rail to adjust height.
- Durable brass construction with quality you can trust.
- Overhead WELS 4 Rated, 7.5L/min Hand Shower  
WELS 4 Rated, 7.5L/min

# Contura II Rail Shower With Overhead - Brushed Brass

Code: 849080BB4A



## Attributes

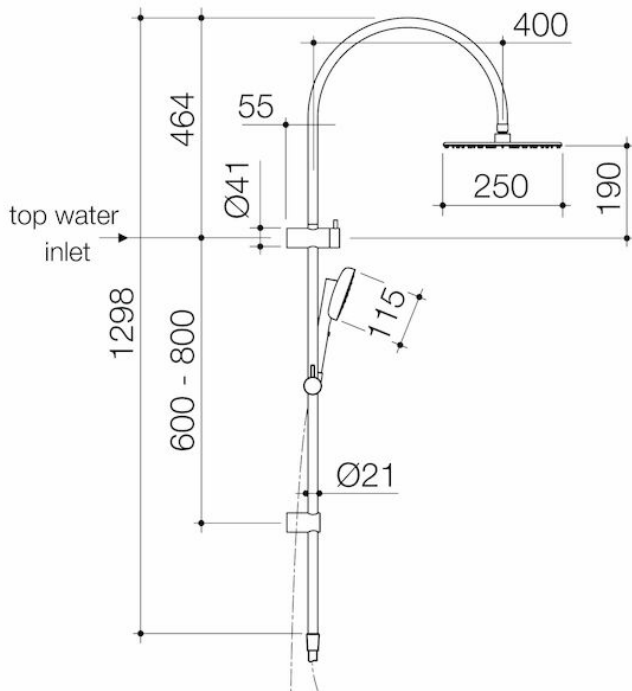
<b>Litres per minute</b>	7.50 ltr
<b>Rail cutdown</b>	No
<b>Temperature adjustable</b>	No
<b>Flow adjustable</b>	No
<b>Is retrofit</b>	No
<b>Depth</b>	300 mm
<b>Length</b>	580 mm
<b>Net Weight</b>	0.69 kg

## Features & Benefits

- Enjoy peace of mind with 20 years warranty
- VJet® technology in the hand shower for the ultimate showering experience that puts you in control.
- Hand shower contains premium quality dual check valves, designed to prevent backflow, effective against back pressure and back siphonage.
- PVD Finishes available for striking design & durability. Available in chrome, matte black, brushed bronze, brushed brass and brushed nickel.
- Caroma showers are 100% leak tested.
- Easy slide rail to adjust height.
- Durable brass construction with quality you can trust.
- Overhead WELS 4 Rated, 7.5L/min Hand Shower WELS 4 Rated, 7.5L/min

# Contura II Rail Shower With Overhead - Brushed Bronze

Code: 849080BBZ4A



## Attributes

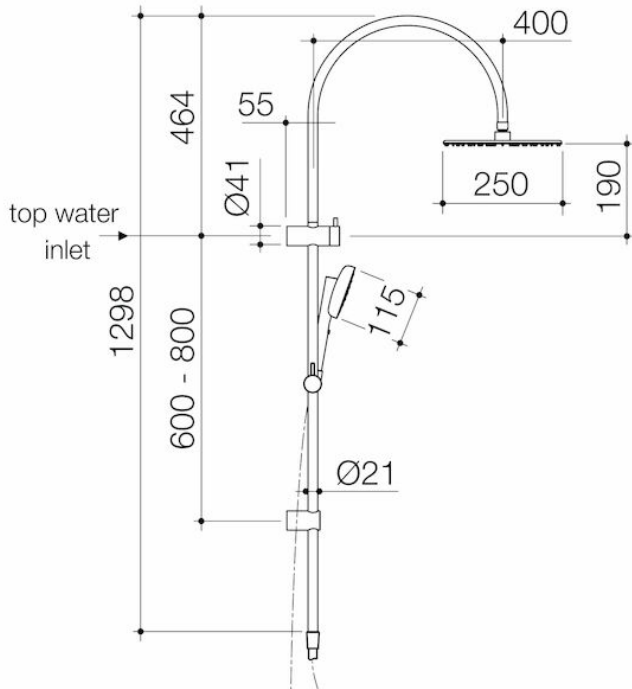
<b>Litres per minute</b>	7.50 ltr
<b>Rail cutdown</b>	No
<b>Temperature adjustable</b>	No
<b>Flow adjustable</b>	No
<b>Is retrofit</b>	No
<b>Depth</b>	300 mm
<b>Length</b>	580 mm
<b>Net Weight</b>	0.69 kg

## Features & Benefits

- Enjoy peace of mind with 20 years warranty
- VJet® technology in the hand shower for the ultimate showering experience that puts you in control.
- Hand shower contains premium quality dual check valves, designed to prevent backflow, effective against back pressure and back siphonage.
- PVD Finishes available for striking design & durability. Available in chrome, matte black, brushed bronze, brushed brass and brushed nickel.
- Caroma showers are 100% leak tested.
- Easy slide rail to adjust height.
- Durable brass construction with quality you can trust.
- Overhead WELS 4 Rated, 7.5L/min Hand Shower WELS 4 Rated, 7.5L/min

# Contura II Rail Shower With Overhead - Brushed Nickel

Code: 849080BN4A



## Attributes

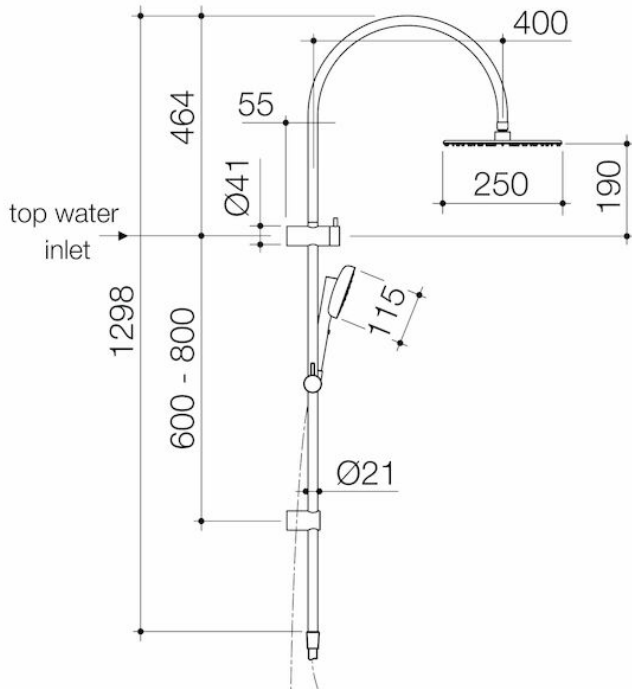
<b>Litres per minute</b>	7.50 ltr
<b>Rail cutdown</b>	No
<b>Temperature adjustable</b>	No
<b>Flow adjustable</b>	No
<b>Is retrofit</b>	No
<b>Depth</b>	300 mm
<b>Length</b>	580 mm
<b>Net Weight</b>	0.69 kg

## Features & Benefits

- Enjoy peace of mind with 20 years warranty
- VJet® technology in the hand shower for the ultimate showering experience that puts you in control.
- Hand shower contains premium quality dual check valves, designed to prevent backflow, effective against back pressure and back siphonage.
- PVD Finishes available for striking design & durability. Available in chrome, matte black, brushed bronze, brushed brass and brushed nickel.
- Caroma showers are 100% leak tested.
- Easy slide rail to adjust height.
- Durable brass construction with quality you can trust.
- Overhead WELS 4 Rated, 7.5L/min Hand Shower WELS 4 Rated, 7.5L/min

# Contura II Rail Shower With Overhead - Chrome

Code: 849080C4A



## Attributes

Litres per minute	7.50 ltr
Rail cutdown	No
Temperature adjustable	No
Flow adjustable	No
Is retrofit	No
Depth	300 mm
Width	580 mm
Net Weight	0.69 kg

## Features & Benefits

- Enjoy peace of mind with 20 years warranty
- VJet® technology in the hand shower for the ultimate showering experience that puts you in control.
- Hand shower contains premium quality dual check valves, designed to prevent backflow, effective against back pressure and back siphonage.
- PVD Finishes available for striking design & durability. Available in chrome, matte black, brushed bronze, brushed brass and brushed nickel.
- Caroma showers are 100% leak tested.
- Easy slide rail to adjust height.
- Durable brass construction with quality you can trust.
- Overhead WELS 4 Rated, 7.5L/min Hand Shower WELS 4 Rated, 7.5L/min