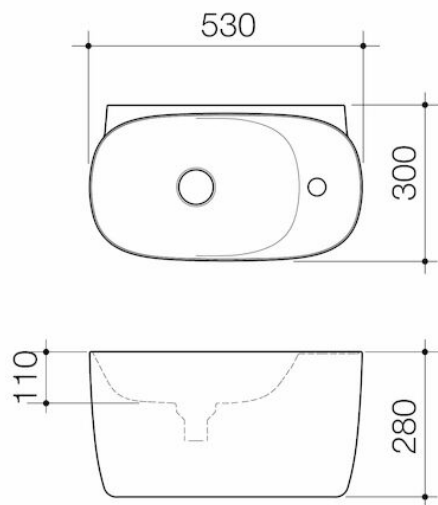


# Contura II Hand Wall Basin (1 Tap Hole) - Matte Clay

Code: 853710CL



## Attributes

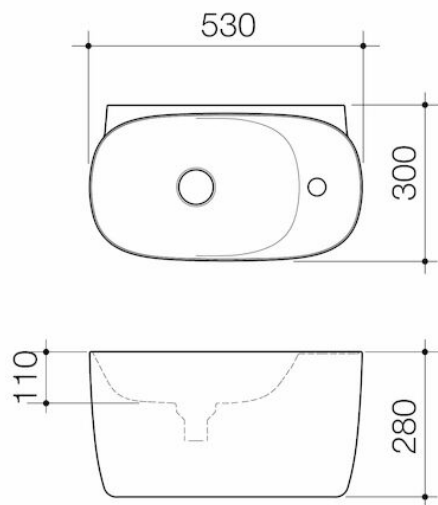
|                      |          |
|----------------------|----------|
| Overflow             | No       |
| Capacity to overflow | No       |
| Capacity size        | 6.00 ltr |
| Shroud available     | No       |
| Pedestal available   | No       |

## Features & Benefits

- Enjoy peace of mind with 20 years warranty
- Wall hung basin with integrated ceramic shroud
- A smooth, stain-resistant surface
- Features an elegant thin rim for a modern style statement
- Crafted from highly durable and premium quality ceramic
- Supplied with a flush fitting plug and waste for a seamless look, also compatible with Urbane II basin pop-up plugs and wastes and bottle traps in matching colours
- Non -overflow only
- Australian designed and engineered
- Available in gloss white, matte white and matte clay finishes

# Contura II Hand Wall Basin (1 Tap Hole) - Matte White

Code: 853710MW



## Attributes

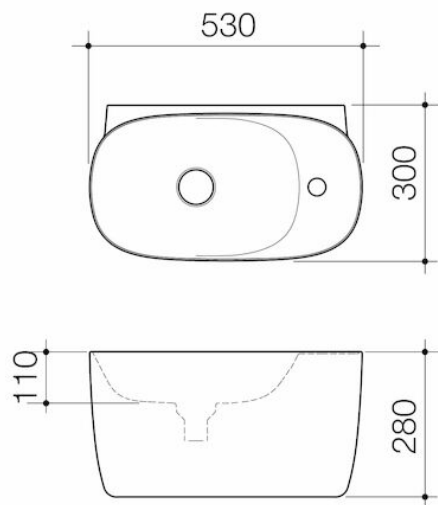
|                      |          |
|----------------------|----------|
| Overflow             | No       |
| Capacity to overflow | No       |
| Capacity size        | 6.00 ltr |
| Shroud available     | No       |
| Pedestal available   | No       |

## Features & Benefits

- Enjoy peace of mind with 20 years warranty
- Wall hung basin with integrated ceramic shroud
- A smooth, stain-resistant surface
- Features an elegant thin rim for a modern style statement
- Crafted from highly durable and premium quality ceramic
- Supplied with a flush fitting plug and waste for a seamless look, also compatible with Urbane II basin pop-up plugs and wastes and bottle traps in matching colours
- Non -overflow only
- Australian designed and engineered
- Available in gloss white, matte white and matte clay finishes

# Contura II Hand Wall Basin (1 Tap Hole) - White

Code: 853710W



## Attributes

|                      |          |
|----------------------|----------|
| Overflow             | No       |
| Capacity to overflow | No       |
| Capacity size        | 6.00 ltr |
| Shroud available     | No       |
| Pedestal available   | No       |

## Features & Benefits

- Enjoy peace of mind with 20 years warranty
- Wall hung basin with integrated ceramic shroud
- A smooth, stain-resistant surface
- Features an elegant thin rim for a modern style statement
- Crafted from highly durable and premium quality ceramic
- Supplied with a flush fitting plug and waste for a seamless look, also compatible with Urbane II basin pop-up plugs and wastes and bottle traps in matching colours
- Non -overflow only
- Australian designed and engineered
- Available in gloss white, matte white and matte clay finishes