

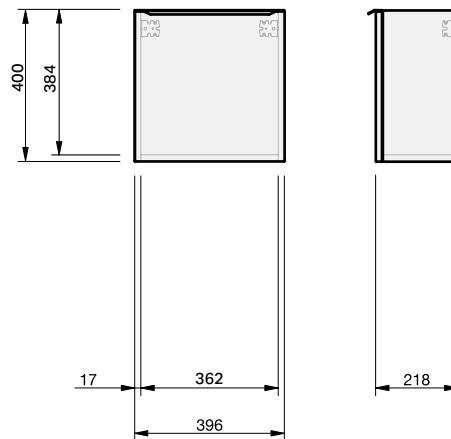
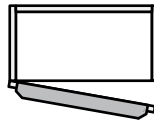
# Misura 22 Console 400 Wall 1 Door

## CABINET SPECIFICATION



### Product Features

Product Code	9627
Product Description	Misura 22 Console - 400 Wall
Drawer Configuration	1 Door
Notes:	Drawings depict cabinet only



**IMPORTANT NOTE:** Throughout this guide, dimensions may vary by  $\pm 2$ mm. Please read the installation manual for detailed information on installing the product. St. Michel pursues a policy of continuing improvement in design and manufacturing of its products. The right is therefore reserved to vary specifications without notice.

st.michel  
BATHROOMWARE

# Eli 400

## BASIN SPECIFICATION



### Product Features

Product Code	18701
Type of basin	Console
Material of basin	Ceramic
Standard Tap Size	35mm
Standard Waste Size	32mm
Capacity of basin	2.0 litre
Overflow Configuration	No overflow
Colour options	White Gloss

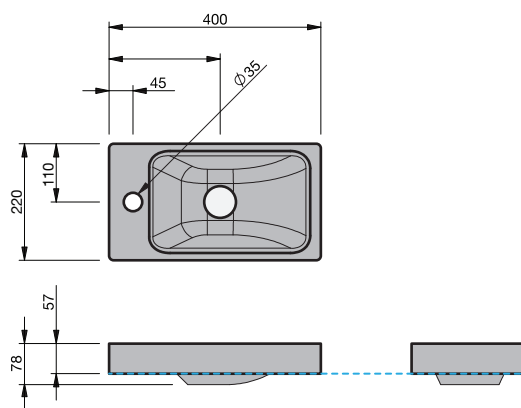


- The basin must be sealed to the top with an acetic cured silicone sealant.
- Epoxy type sealants must not be used.

Cabinet range (refer to applicable cabinet specifications)



INDICATES TOP SURFACE -----



**IMPORTANT NOTE:** Throughout this guide, dimensions may vary by  $\pm 5$ mm. Please read the installation manual for detailed information on installing the product. St. Michel pursues a policy of continuing improvement in design and manufacturing of its products. The right is therefore reserved to vary specifications without notice.

st.michel  
BATHROOMWARE