



L A N D S C A P E S E R I E S .

ARRIVA 752

At Rinnai, we never sacrifice form for function, or vice versa. The Arriva is living, burning proof.

Its radiant heat and striking modern aesthetic make beauty warm again.

Frame options



Black frame R2714



Stainless on black frame R2713



Black on stainless frame R2716



Stainless frame R2715



Black frame R2711



Flat stainless frame R2712

Burn media



Black Pebbles (optional). Suitable for all Arriva 752 models R2740



White Quartz (optional). Suitable for all Arriva 752 models R2741

Compare full range and specifications on page 58.

Rinnai Arriva 752. Stainless on black frame (R2713) with White Quartz (R2741).

FIRE. REIMAGINED. |

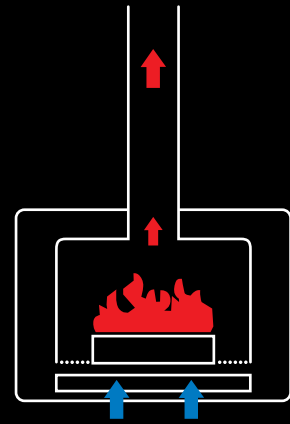
FLUE SYSTEMS

Each Rinnai gas fire has a specific flue configuration. To understand the three different flue types, view the information below.

Natural draft

Often referred to as a standard flue system. This type of flue draws the air for combustion (to run the fire) from the room and then expels combusted gases to the outside via a vertical flue. As the air for combustion is being drawn from the room, there is a requirement for adequate ventilation – requirement to replenish the air. Adequate ventilation must be calculated and provided by the gasfitter, as per AS/NZS 5601.

The flue must terminate vertically through the roof.

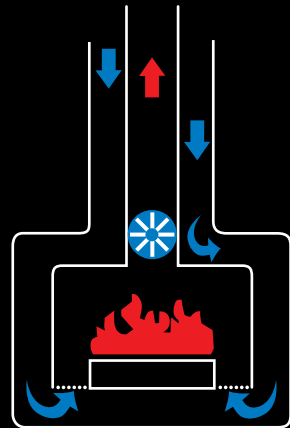


Power flue

A Rinnai power flue system has a sealed combustion chamber with a fan that draws air for combustion from the outside, through the outer flue, and expels combusted gases to the outside, through the inner flue. This type of system does not take oxygen or heated air from the room.

Power flues are smaller in size, can have a number of bends, can be flued down-and-out, sideways, and can terminate horizontally or vertically. This means power flued appliances can be installed in almost any living or working space, including bedrooms.

Rinnai power flued appliances maintain air quality for a healthy breathing environment.

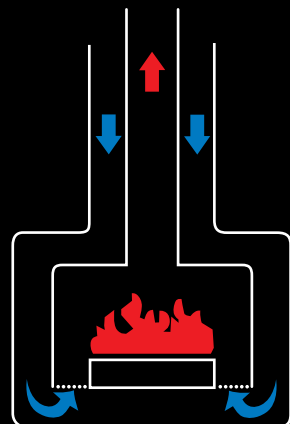


Direct vent

A direct vent flue system, like the power flue, also has a sealed combustion chamber, but differs by using natural draft to draw air from the outside and expel combusted gases to the outside. Like the power flue, the air quality of the room is maintained.

As direct vent flues use natural draft to move air and gases through the flue, they have a larger flue size compared to the power flue.

The flue can terminate horizontally or vertically.

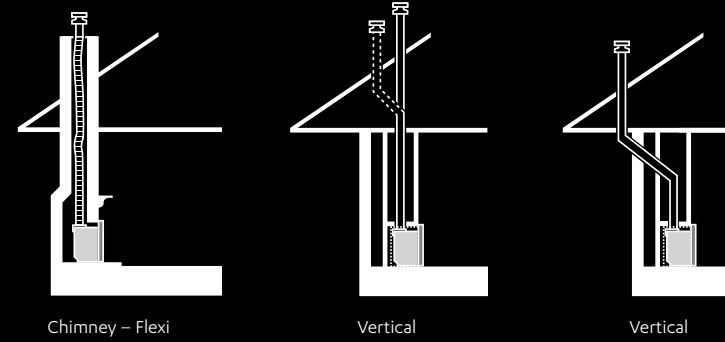


FLUE GUIDE

This flue guide showcases which flue system each fire or Energysaver uses and some of the different options for configuration.

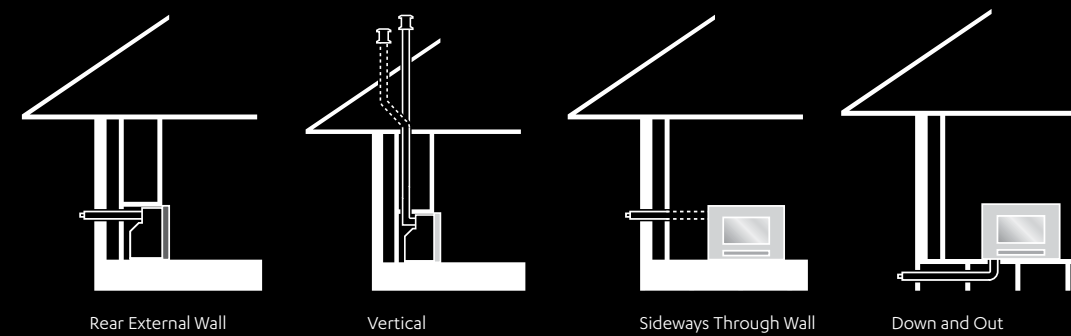
Natural draft

Available for: Neo, Compact 2



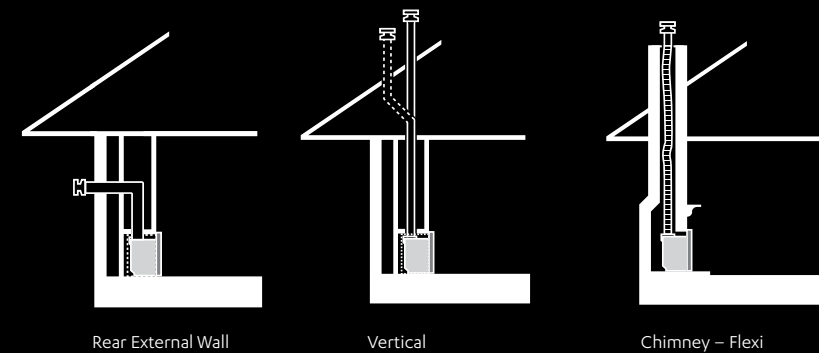
Power flue

Available for: Linear Collection, Evolve 952/1253 Plus, Arriva 752, Energysavers



Direct vent

Available for: Ember 600/700, Symmetry, Novo*



* Vertical termination only

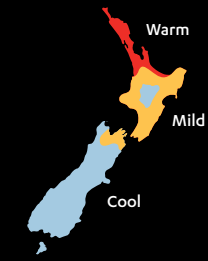
TECHNICAL INFORMATION.

GAS FIRE COMPARISON CHART

UNIT	MODEL	Flue Type	Freestanding	Inbuilt Mock Chimney	Existing Masonry	Zone Heat Area m ² (up to) Area heated relevant to your geographical location			NATURAL GAS
						Upper North Island	Central & Lower North Island	South Island	
INBUILT GAS FIREPLACES									
Symmetry	3611	Direct Vent		✓		120	83	70	✓

Climate zones

This diagram shows nationwide winter climate zones. It's important to correctly identify your climate zone, as it directly affects the performance of your heating solution.



100% Kiwi

Our gas fires are all designed and manufactured right here in New Zealand. So you can be sure you're getting the best quality, made in the best little country on Earth.



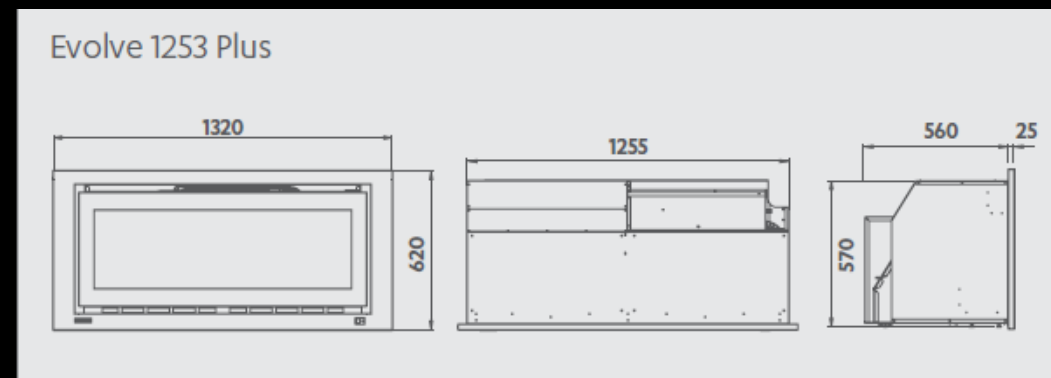
LPG	MJ/h	MJ/h	kW		Star Rating	Speed Fan	Preheat Function	Remote Control	Wi-Fi Capable	Air Filter
	INPUT	INPUT	HEAT OUTPUT							
	Max. Input (MJ/h)	Min. Input (MJ/h)	Max. Output (kW)	Low. Output (kW)						
✓	33	19	7.5*	3.8*	4.2*	2		✓		

TECHNICAL INFORMATION.

MEASUREMENTS

Gas Fires

Appliance			Outer Flue Diameter (mm)	Inner Flue Diameter (mm)
Height (mm)	Width (mm)	Depth (mm)		
710	1050	365	80	50



Room Sizing calculation based on construction and insulation prevalent in homes built post 2008. Calculation assumes a 2.4m stud height, with normal sized windows. For rooms outside of these assumptions or for older homes the floor area able to be effectively heated will reduce.
 ~ If the existing masonry chimney had a very large opening then this is possible. Otherwise it will require significant renovation and installation costs.
 *Running on NG using short flue. **Running on NG using long flue.

^ Wi-Fi is available on these models but requires the purchase of an additional Wi-Fi accessory kit.

5 YEAR FIREBOX WARRANTY
 2 YEAR TOTAL WARRANTY