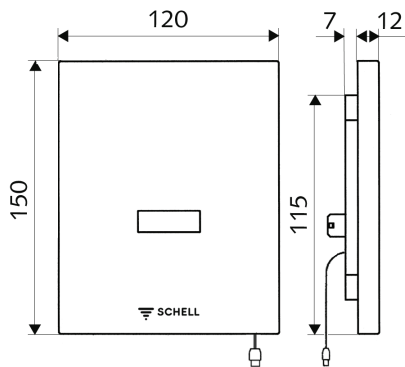


# Edition E

Schell Urinal Control Edition E Mains Operation  
230 V / 50 Hz

Code:  
S0280928



- Contactless infrared sensor flushing unit
- Electronic module programmable
- Mounting frame
- Front panel with sensor window
- Bistable cartridge solenoid valve 6 V
- Concealed transformer with main plug 230 V / 50 Hz
- Adjustable by means of short range reflex
- Material: front cover out of stainless steel

Adjustable by means of short range reflex

Flush time:	<b>1 - 15 s, adjustable</b>
Sensor range:	<b>Short, medium, Long</b>
Stagnation flush program:	<b>Off/ 30 s, every 24 h after last use / every 24 h)</b>
Pre-flush:	<b>Off, On 1 s</b>
Automatic stadium program:	<b>Off, On</b>
Odour trap flush:	<b>Off, On</b>

Expanded setting options with SWS/SSC

Flush time:	<b>1 - 15 s, adjustable</b>
Sensor range:	<b>Short, medium, Long</b>
Stagnation flush program:	<b>24 h after last use / every 24 h (adjustable 1 - 240 h) flush time: 30 s (adjustable 5 - 600 s)</b>
Pre-flush:	<b>1 s (adjustable 5 - 60 min after last use)</b>
Automatic stadium program:	<b>1 s/user (adjustable 20-60 s after last use)</b>



# Edition E

Schell Urinal Control Edition E Mains Operation  
230 V / 50 Hz

Code:  
S0280928



Odour trap flush: **Off, On (adjustable 1 - 240 h after last use)**

Energy saving mode: **active after 1 h (adjustable: off, 1 h - 254)**

 DESIGNED AND MANUFACTURED IN GERMANY

