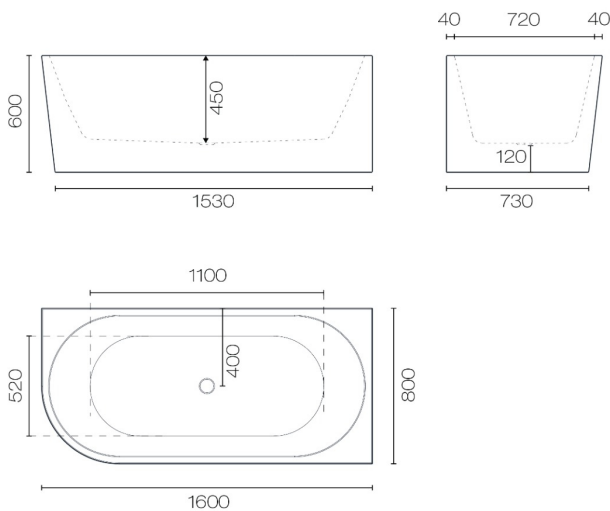
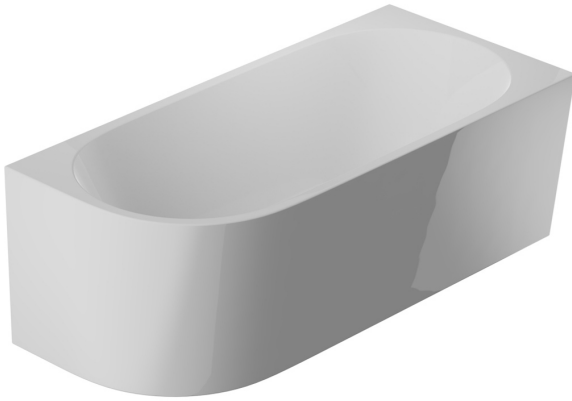


## Tondo 1600 Right Corner Back To Wall Bath

Code: TON1600R



<b>Brand</b>	Progetto
<b>Colour</b>	White
<b>Finish</b>	Gloss
<b>Material</b>	Acrylic
<b>Installation</b>	Back To Wall / Freestanding
<b>Width (mm)</b>	1600
<b>Depth (mm)</b>	800
<b>Height (mm)</b>	600
<b>Warranty</b>	10 Years
<b>Overflow</b>	No
<b>Waste Size</b>	40mm
<b>Waste Included</b>	Yes
<b>Capacity</b>	250
<b>Material</b>	Acrylic
<b>Notes</b>	Made from Sanitary grade acrylic
<b>Other Information</b>	Pop up waste mechanism - BASPUWMECH. Waste cap seal - BATPUWSE.
<b>Note to the owner/user</b>	This product is made from a durable & robust material that will give you years of use. However please note the following to avoid damage to your product: <ul style="list-style-type: none"> <li>• After each use thoroughly clean the surface with warm soapy water.</li> <li>• Before applying cleaning products to the surface carefully read all instructions first.</li> <li>• Do not use products that contain alcohol, bleach, solvents, bath oils/salts, hair dye, abrasives, acetone or citrus based chemicals.</li> <li>• Do not allow water temperature to exceed above 55°C.</li> </ul>
<b>Building Product Information Requirements (BPIR)</b>	
<b>Manufacturer</b>	Plumbline
<b>Building Code Clauses</b>	B2 (Durability) B2.3.1 (c) / G13 (Foul Water) G13.3.1
<b>Compliance Evidence</b>	Clauses relating to this product are aimed at the installer. Please find comprehensive installation instructions on the product information page. The product is designed to enable the installer to comply with the building code. The product complies with the clause B2 (Durability) B2.3.1.
<b>Condition of Use</b>	For use in residential and commercial applications. Must be installed by a registered plumber or suitably qualified tradesperson and as per the installation instructions.
<b>Version no.</b>	1.0
<b>Subject to a Warning</b>	No