

METHVEN

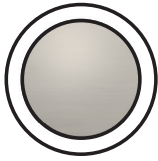
WAIPORI MK2



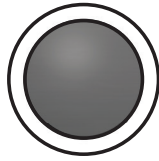
WAIPORI MK2 WALL BASIN/BATH MIXER



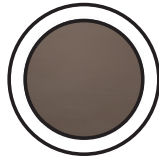
CHROME



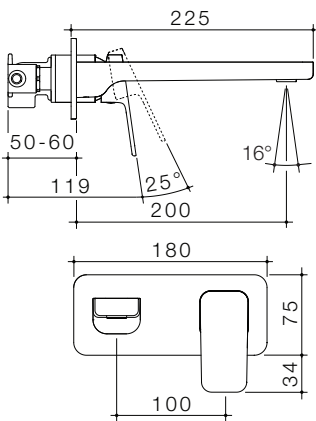
BRUSHED NICKEL



GUNMETAL



BRUSHED BRONZE



CONSTRUCTION: Low-lead brass body

CARTRIDGE: Ceramic

CLASSIFICATION: Suitable for mains pressure only

PIPE CONNECTION: 1/2" BSP Female

WORKING PRESSURES: 150 - 1000kpa

OPTIMUM PRESSURE: 150 - 1000kpa

OPERATING TEMPERATURE: 5 °C - 70 °C

- An evolution of Waipori's distinctive tapered design
- Metal faceplate with concealed fixings
- Superior 35mm ceramic disc cartridge eliminates drips
- Concealed aerator with adjustable stream direction
- Constructed from lead free brass
- Featuring EasySwitch, the universal in-wall body system that allows you to install your in-wall body now and select your design and finish later
- Chrome or PVD finish for striking design & durability
- WELS 6 Star, ≤4.5L/min

WPWBCP6F

Chrome

WPWBBN6F

Brushed Nickel

WPWBG6F

Gunmetal

WPWBBBZ6F

Brushed Bronze

THE METHVEN GUARANTEE. For total peace of mind, all domestic tapware products include a 20 Year Parts and Labour Guarantee. For commercial installations, a 5 Year Guarantee on Parts and Labour applies. For full terms and conditions, visit www.methven.com.